

Zehnder ComfoCool Q

Technical specification for air tempering unit



General

Zehnder ComfoCool Q enables the temperature control and dehumidification of the supply air at 600 m³/h, maximising the feel-good climate. The unit is operated together with the Zehnder ComfoAir Q600 ST comfort ventilation unit. Additionally it is easy to install. With low noise emissions, a constant supply air temperature and low energy consumption, the Zehnder ComfoCool Q creates an improved level of living comfort. The integrated Zehnder ComfoAir Q600 ST control unit enables simple and intuitive control.



The Zehnder ComfoCool Q600 ST (left) and combined with the Zehnder ComfoAir Q600 ST comfort ventilation unit (right)

Benefits

- Maximum living comfort due to active temperature control and dehumidification of the outdoor air.
- Easy and space-saving installation in combination with the Zehnder ComfoAir Q600 ST. Also, no additional device is required on the outer wall, and one unit supplies the entire apartment.
- Fresh air and the right temperature no matter what the season, pleasant air temperature control on hot days.

Technical specifications

Data	
Supply voltage	230 V, 50 Hz
Current draw (nominal)	4.7 A
Current draw (peak value)	5.5 A
Cos. Φ	0.75
Power consumption (nominal)	0.80 kW
Power consumption (peak value)	0.95 kW

Article numbers

Description	Article number
Zehnder ComfoCool Q600 L ST air tempering unit with supply connector on left	471 410 005
Zehnder ComfoCool Q600 R ST air tempering unit with supply connector on right	471 410 006
Zehnder ComfoAir Q floor stand	471 502 008
Dry siphon 5/4"	990 201 330

Tender specification

ComfoCool Q600 L ST air tempering unit

Suitable for Zehnder ComfoAir Q600 ST comfort ventilation unit with supply connection on left or right.

The Zehnder ComfoCool Q600 ST is an air tempering unit that significantly improves the comfort by reducing the room temperature and dehumidifying the outdoor air on hot summer days.

DN 180 connectors on the top and 32 mm condensate drain hose at the side.

The housing consists of coated steel sheet with a plastic cover, versions with supply air on the left (type L) or right (type R). Zehnder ComfoCool is installed with the included connection set, mounted directly to the Zehnder ComfoAir Q comfort ventilation unit. The unit comprising ventilation unit and air tempering unit must be set up on the floor. A suitable floor stand is available. The Zehnder ComfoCool Q600 ST air tempering unit contains all technical cooling components required for operation.

Dimensions

(with ComfoAir Q600 ST and floor stand)

Data	
Height	1,780 mm
Width	733 mm
Depth	564 mm
Weight of air tempering unit	45 kg
Power consumption of air tempering unit	max. 1,026 W
Mains power supply	230 V / 50 Hz
COP	to 3.22
Refrigerant	R134a; 0.5 kg
Cooling capacity	2.3 kW

Installation

The air distribution must have the following characteristics:

- The outdoor air duct and the exhaust air duct must be insulated and vapour-tight. This means no condensate can form on the outside of the duct.
- The supply air duct must also be insulated and vapour-tight. To avoid heat losses in the ducts, we recommend also thermally insulating the supply air ducts.
- A motorised extractor hood should not be connected to the system under any circumstances.

Installation

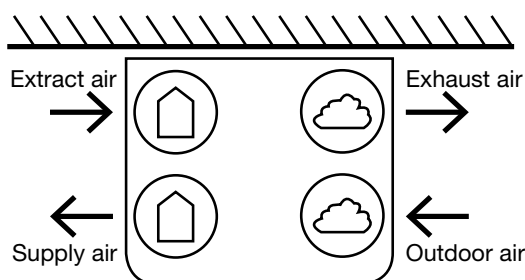
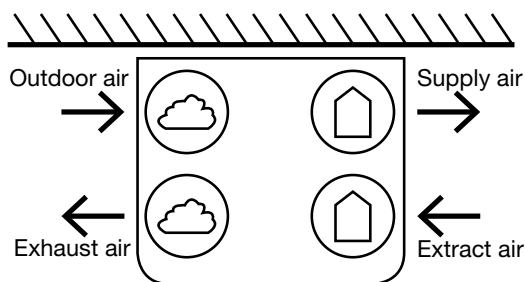
The ComfoCool Q is installed directly on Zehnder ComfoAir Q comfort ventilation unit. The unit comprising ventilation unit and air tempering unit must be set up on the floor. A floor stand is available for this.

Important! Wall mounting is not possible.

The Zehnder ComfoAir Q is installed on a floor stand and connected to the Zehnder ComfoCool Q via an adapter set. A safety clip to be attached to the wall prevents the unit from tipping over.

Air direction/connection

The air direction and connection of the ComfoCool Q must correspond to those of the ComfoAir Q ventilation unit. Zehnder ComfoCool Q units are available as left and right versions.



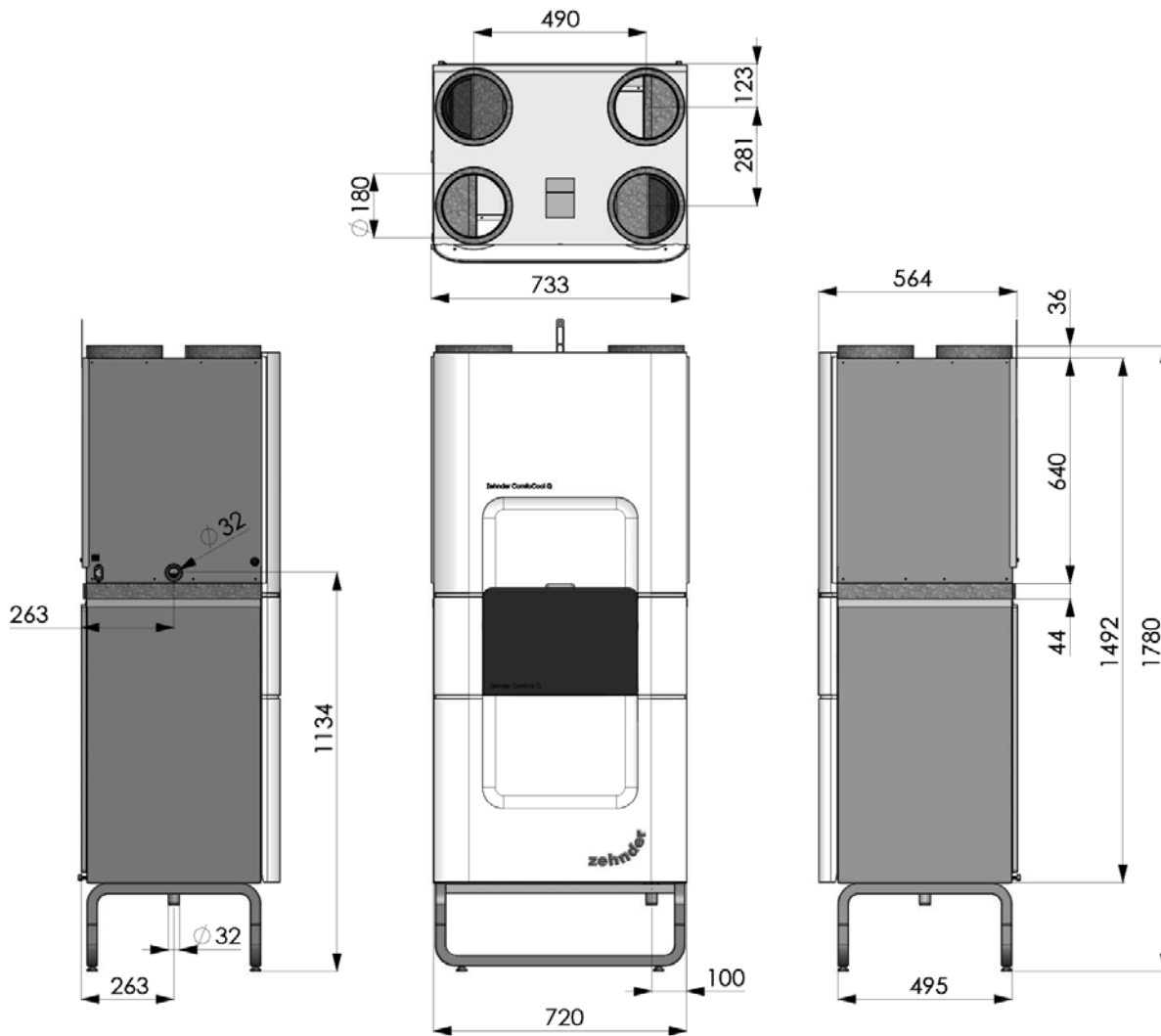
Sound specifications

Pst (Pa)	Qv (m³/h)	Frequency (Hz)							
		125	250	500	1000	2000	4000	8000	
25	250	58.8	59.0	51.1	46.2	43.2	35.9	25.3	
25	300	60.2	61.0	53.8	48.5	45.9	39.4	29.4	
50	350	62.1	63.7	57.2	51.5	49.3	43.8	34.4	
50	400	63.6	65.8	60.0	53.9	52.1	47.3	38.6	
50	420	64.3	66.7	61.1	54.8	53.2	48.8	40.3	
100	450	65.8	68.9	63.8	57.2	55.9	52.2	44.4	
100	500	67.4	71.0	66.5	59.5	58.6	55.7	48.6	
150	450	66.4	69.6	64.8	58.0	56.9	53.5	45.9	
200	450	67.0	70.4	65.7	58.8	57.8	54.7	47.4	
200	500	68.5	72.5	68.3	61.0	60.4	58.0	51.2	
150	550	71.7	76.8	73.6	65.6	65.6	64.8	59.3	

ComfoCool Q figures when combined with ComfoAir Q600 ST

	Qv (m³/h)	Ps (Pa)	P (W)	I (A)	Lw, supply air (dB (A))	COP -
1	250	25	1,000	5.4	46	2.0
2	300	25	860	5.2	46	2.3
3	350	50	900	5.4	49	2.5
4	400	50	890	5.5	51	2.7
5	420	50	870	5.4	52	2.8
6	450	100	910	5.7	54	2.9
7	450	150	930	5.8	55	2.9
8	450	200	950	5.9	56	2.9
9	500	100	920	5.8	57	3.1
10	500	200	970	6.1	59	3.1
11	550	150	1,020	6.3	62	3.3

Dimensional drawing



Z_SI_V1216_CS_Y_TES_TS130, en, subject to change without notice